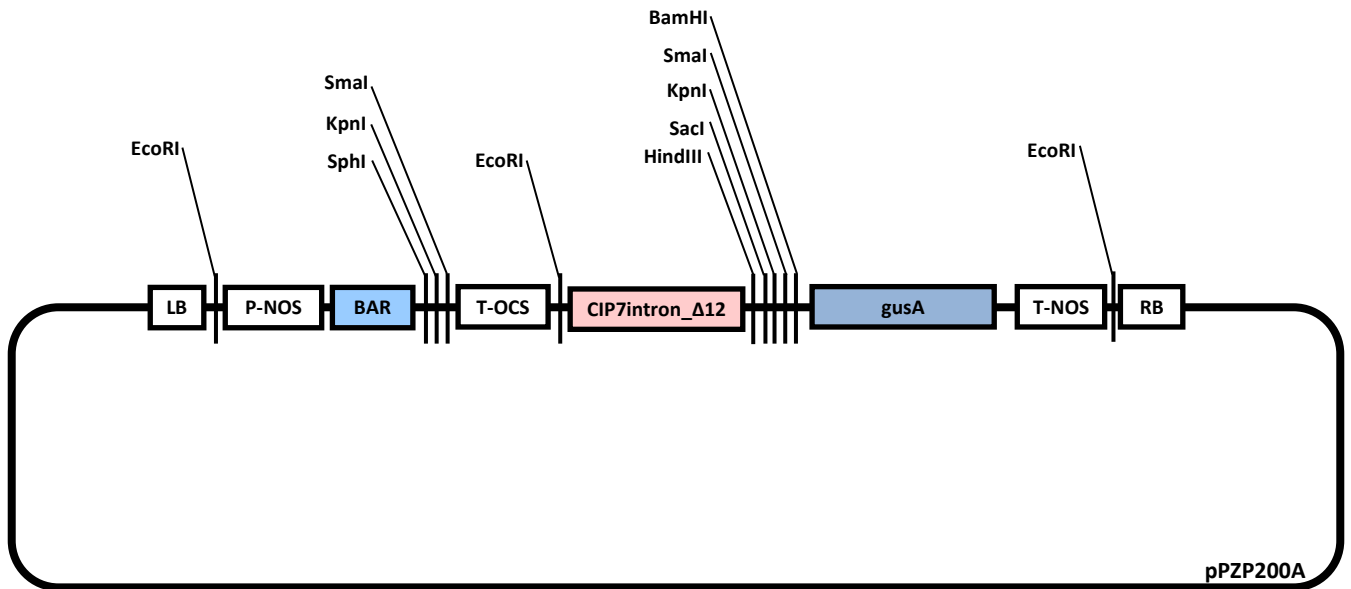


yy502



>yy502

```
CAAACCTTGACAGTGACGACAAATCGTTGGGCGGGTCCAGGGCGAATTTT
GCGACAACATGTCGAGGCTCAGCAGGAATTCGAGCTGGAGTTTTTTTCTG
TTCACCTCTTTAGATGCCAAACTTAATGTTTCAATTGTTGTGGACTCTGTG
ATGTGCCAAGCTTGGGAGCTCGGTACCCGGGGATCCACAATGTTACGTCCT
GTAGAAACCCCAACCCGTGAAATCAAAAACTCGACGGCCTGTGGGCATT
CAGTCTGGATCGCGAAAACCTGTGGAATTGATCAGCGTTGGTGGGAAAGC
```

ΔCIP7 intron for competitive PCR

Restrict Enzyme site

gusA

High copy binary vectors (derivatives of pPZP200, Hajdukiewicz, PMB 25: 989, 1994)

gusA and NOS terminator : copy from pBI221 and delete SacI site between gusA and T-NOS

Drug resistance driven by a weak promoter

Selection marker: Strep/Spec for *E. coli* & *Agrobacterium*, BASTA (phosphinothricin) for plants

Unit for copy number estimation (CIP7 intron Δ12, Yamamoto, Plant J 35: 273, 2003)