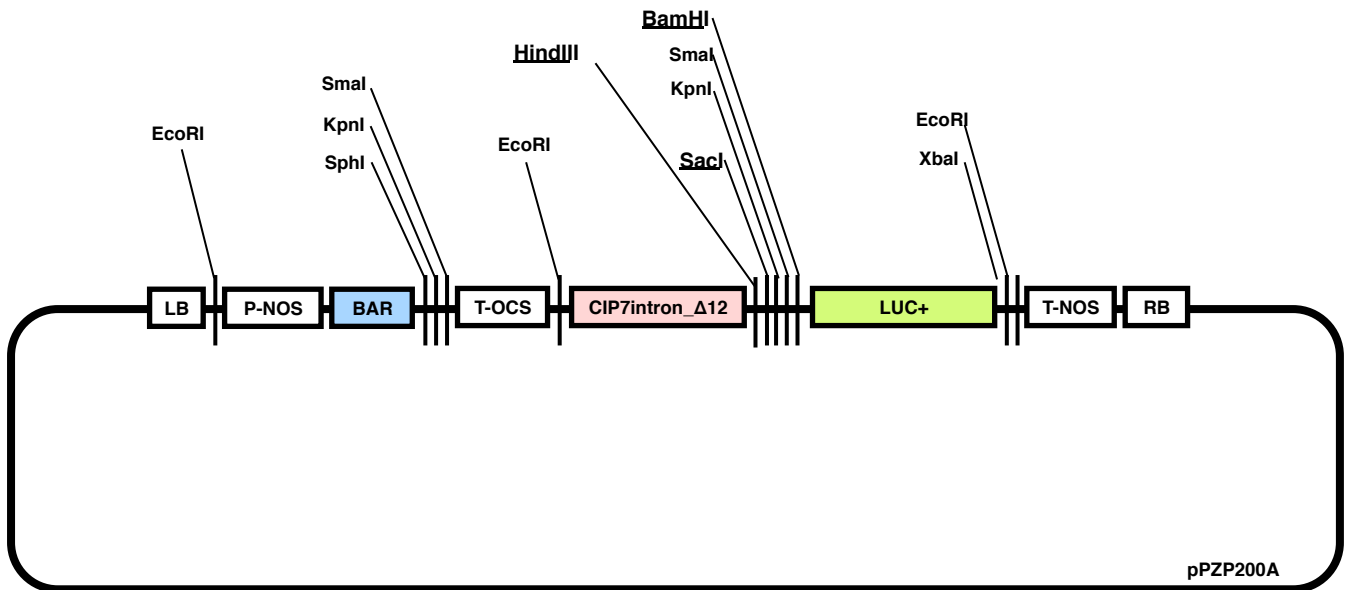


yy448



>yy448

```
ATTATGCAGCATT TTT TTT TGGTGTATGTGGGCCCCAAATGAAGTGCAGGTCAAACCTTGACAGTGACG  
ACAAATCGTTGGGCGGGTCCAGGGCGAATTTTGCACAACATGTTCGAGGCTCAGCAGGAATTCGAGC  
TGGAGTTTTTTTCTGTTCAC TCTCTTAGATGCCAAA CTTAATGTTTCAATTGTTGTGGACTCTGTG  
ATGTGCCAAGCTTGGGAGCTCGGTACCCGGGATCCAAACAATGGCTATGGCTGAAGACGCCAAAAA  
CATAAAGAAAGGCCCGGCGC
```

CIP7 intron Δ 12 for copy number estimation

LUC+ (underline: translation start site context of tobacco *psaDb*)

High copy binary vectors (derivative of pPZP200, Hajdukiewicz, PMB 25: 989, 1994)

LUC+

Selection marker: Strep/Spec for *E. coli* & *Agrobacterium*, BASTA (phosphinothricin) for plants

Unit for copy number estimation (CIP7 intron Δ 12, Yamamoto, Plant J 35: 273, 2003)

Ref: (Yoshioka Y & Yamamoto YY, in preparation, 2011)

contact: yyy@gifu-u.ac.jp