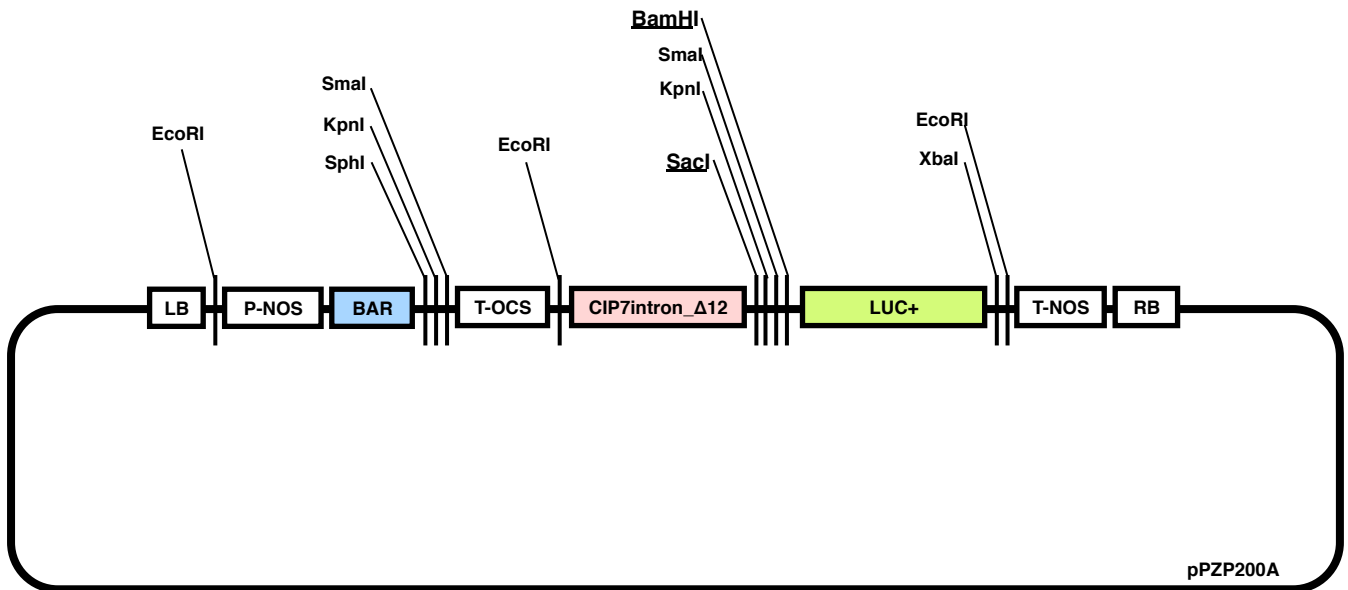


yy446



>yy446

```
ATTATGCAGCATT TTT TTT TGGTGTATGTGGGCCCCAAATGAAGTGCAGGTCAAACCTTGACAGTGACG
ACAAATCGTTGGGCGGGTCCAGGGCGAATTTTGCACAACATGTTCGAGGCTCAGCAGGAATTCGAGC
TGGAGTTTTTTTCTGTTCACTCTCTTAGATGCCAAAACCTTAATGTTTCAATTGTTGTGGACTCTGTG
ATGTGCCAACTTGGGAGCTCGGTACCCGGGATCCAAACAATGGCTATGGCTGAAGACGCCAAAAAC
ATAAAGAAAGGCCCGCGC
```

CIP7 intron Δ 12 for copy number estimation

LUC+ (underline: translation start site context of tobacco *psaDb*)

High copy binary vectors (derivative of pZP200, Hajdukiewicz, PMB 25: 989, 1994)

LUC+

Selection marker: Strep/Spec for *E. coli* & *Agrobacterium*, BASTA (phosphinothricin) for plants

A cassette for copy number estimation (CIP7 intron Δ 12, Yamamoto, Plant J 35: 273, 2003)

Ref: (Yoshioka Y & Yamamoto YY, in preparation, 2011)

contact: yyy@gifu-u.ac.jp